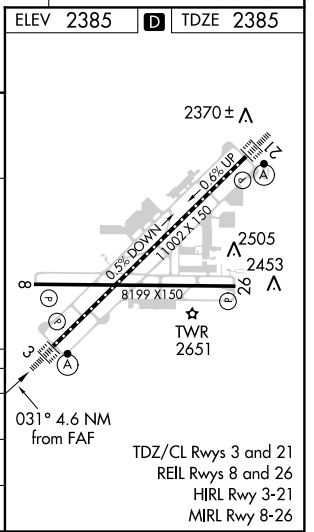
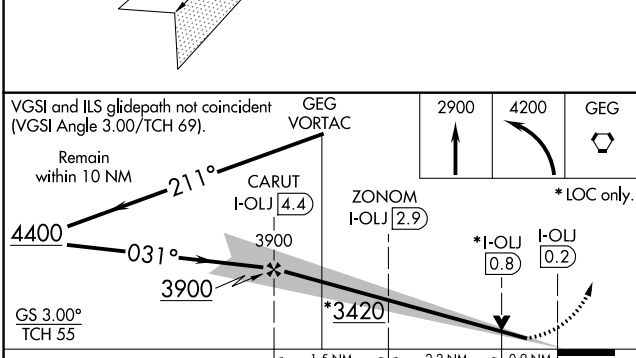
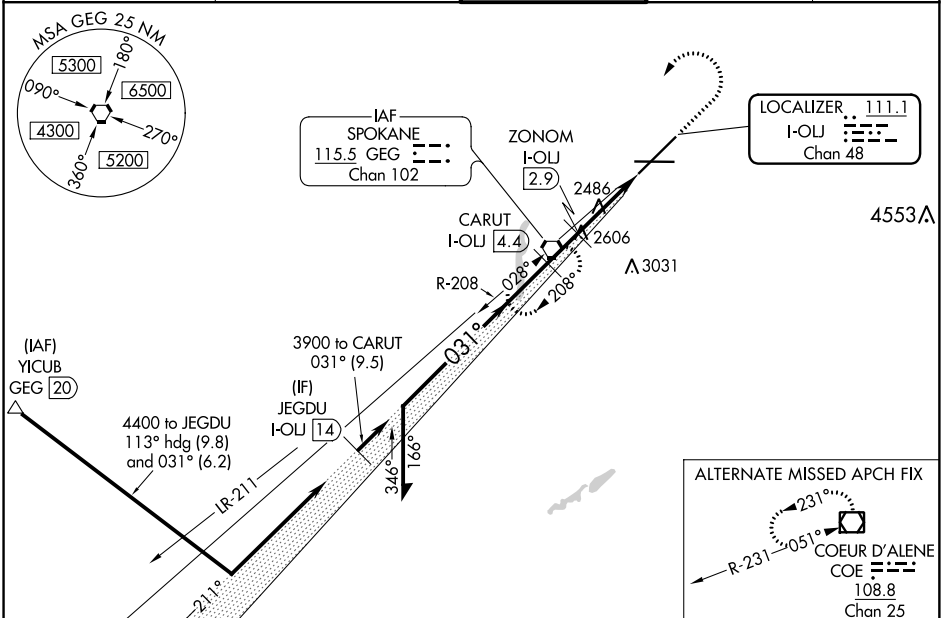


LOC/DME I-OLJ 111.1 Chan 48	APP CRS 031°	Rwy Idg TDZE Apt Elev	11002 2385 2385
--	------------------------	-----------------------------	--

ILS or LOC RWY 3

SPOKANE INTL (GEG)

DME required for localizer only.		ALS-F-2	MISSED APPROACH: Climb to 2900 then climbing left turn to 4200 direct GEG VORTAC and hold.	
<p>For inop ALS, increase S-LOC 3 Cat C/D visibility to RVR 5500.</p>				
ATIS 124.325 254.375	SPOKANE APP CON 123.75 282.25 (205°-025°) 133.35 263.0 (026°-204°)	SPOKANE TOWER 118.3 278.3	GND CON 121.9 348.6	CLNC DEL 127.55



CATEGORY	A	B	C	D
S-ILS 3	2585/18 200 (200-½)			
S-LOC 3	2740/24	355 (400-½)	2740/30	355 (400-¾)
CIRCLING	2960-1 575 (600-1)	2980-1 595 (600-1)	3300-2¾ 915 (1000-2¾)	3400-3 1015 (1100-3)

NW-1, 03 JAN 2019 to 31 JAN 2019

NW-1, 03 JAN 2019 to 31 JAN 2019