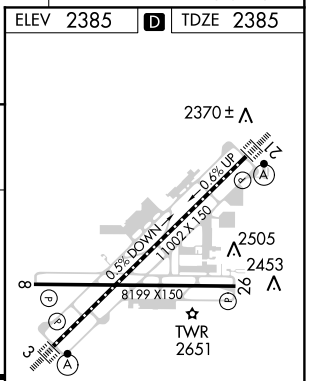
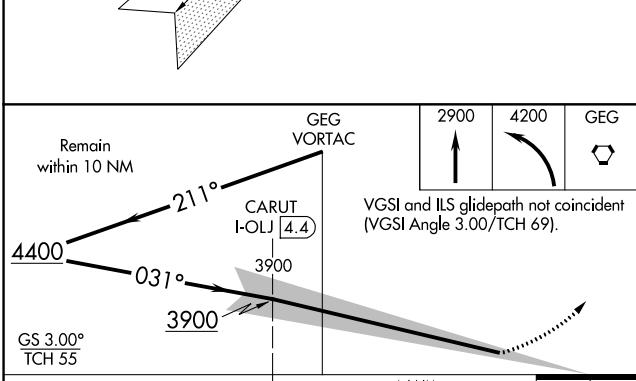
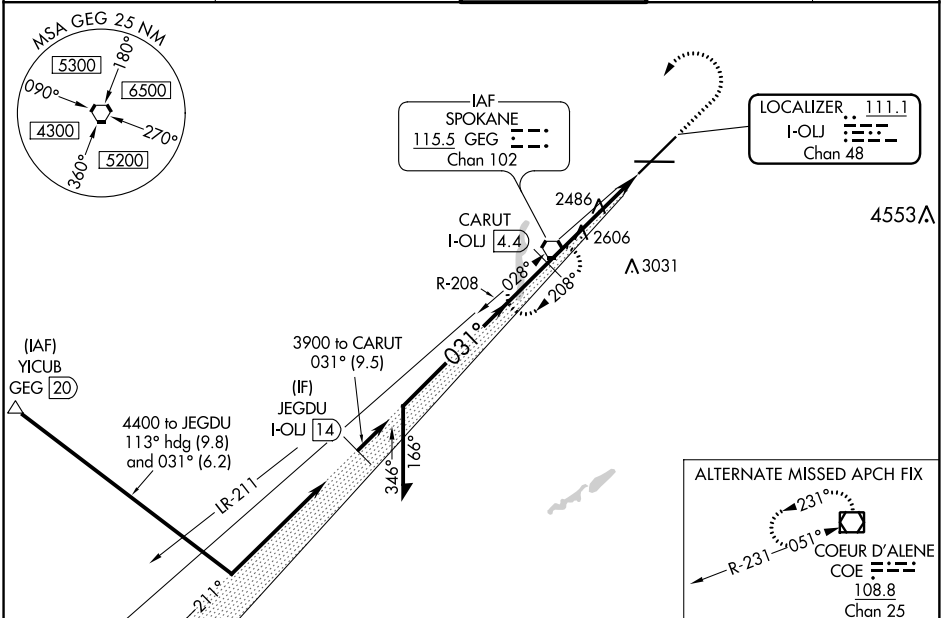


LOC/DME I-OLJ 111.1 Chan 48	APP CRS 031°	Rwy Idg 11002 TDZE 2385 Apt Elev 2385
-------------------------------------------------	------------------------	------------------------------------------------------------------

ILS RWY 3 (SA CAT I)

SPOKANE INTL (GEG)

Requires specific OPSPEC, MSPEC, or LOA approval and use of HUD to DH.	ALS-F-2	MISSED APPROACH: Climb to 2900 then climbing left turn to 4200 direct GEG VORTAC and hold.		
	ATIS 124.325 254.375	SPOKANE APP CON 123.75 282.25 (205°-025°) 133.35 263.0 (026°-204°)	SPOKANE TOWER 118.3 278.3	GND CON 121.9 348.6



CATEGORY	A	B	C	D
S-ILS 3	RA 154/14 150 DA 2535			

SA CATEGORY I ILS - SPECIAL AIRCREW & AIRCRAFT CERTIFICATION REQUIRED

TDZ/CL Rwy 3 and 21
REL Rwy 8 and 26
HIRL Rwy 3-21
MIRL Rwy 8-26

NW-1, 03 JAN 2019 to 31 JAN 2019

NW-1, 03 JAN 2019 to 31 JAN 2019