

BUNTS TWO ARRIVAL

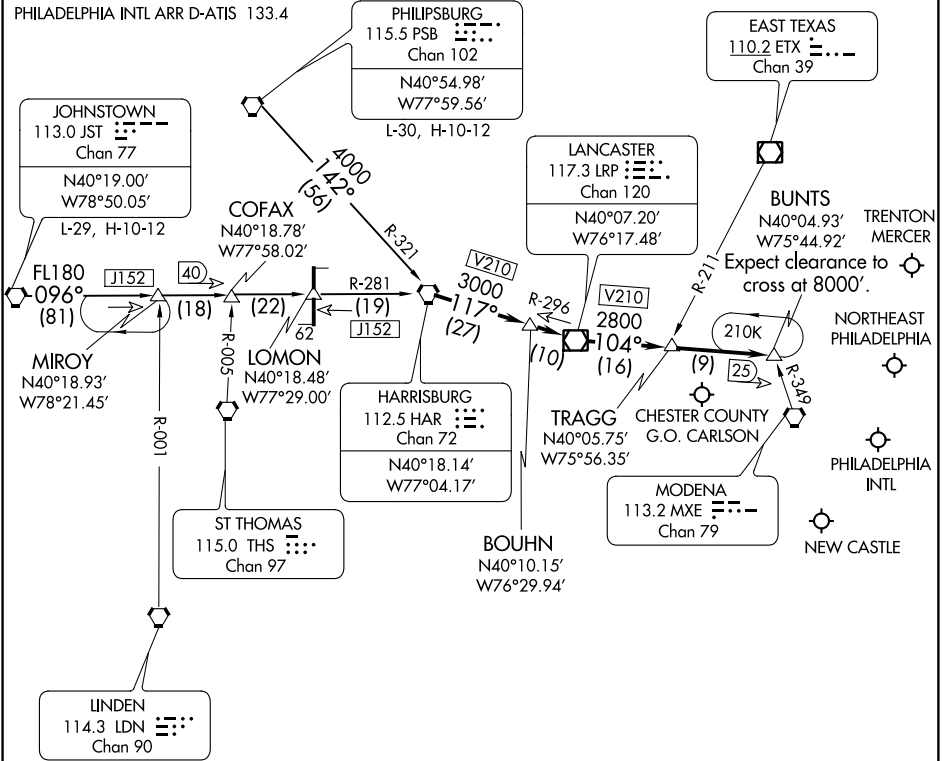
PHILADELPHIA APP CON
128.4 272.575

TRENTON MERCER ATIS 126.775

NEW CASTLE ATIS 123.95

NORTHEAST PHILADELPHIA ATIS 121.15

PHILADELPHIA INTL ARR D-ATIS 133.4



NOTE: This STAR is for aircraft capable of 250 KIAS or greater.

NOTE: Chart not to scale.

JOHNSTOWN TRANSITION (JST.BUNTS2):

PHILIPSBURG TRANSITION (PSB.BUNTS2):

From over HAR VORTAC via HAR R-117 (V210) and LRP R-296 to LRP VOR/DME, thence via LRP R-104 (V210) to BUNTS INT. Expect RADAR vectors to final approach course.

BUNTS TWO ARRIVAL

NE-4, 11 OCT 2018 to 08 NOV 2018

NE-4, 11 OCT 2018 to 08 NOV 2018