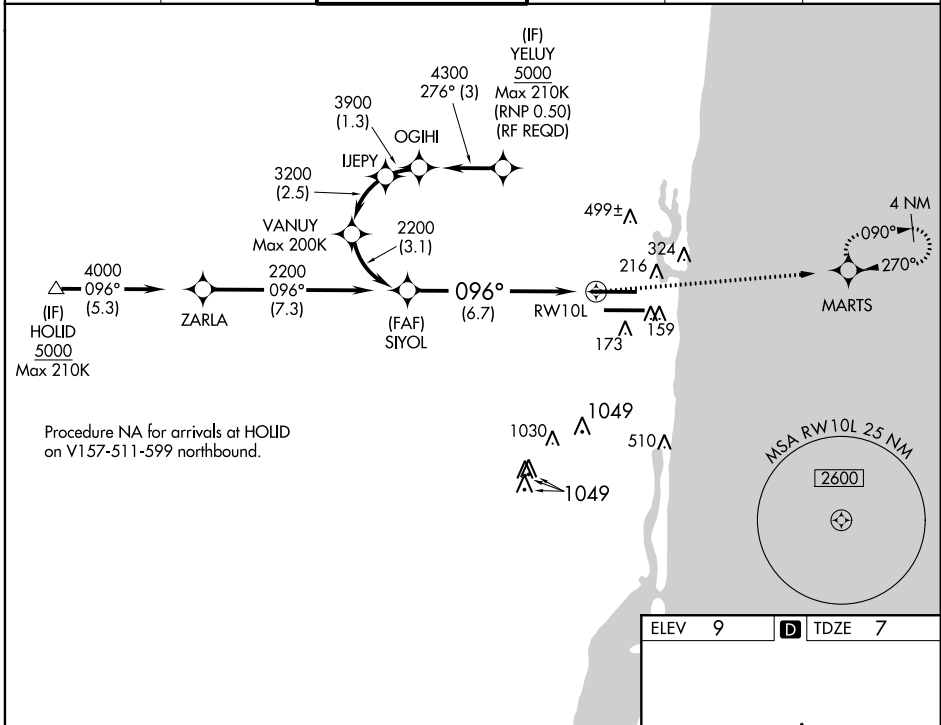


APP CRS	Rwy Idg	<b>8424</b>
<b>096°</b>	TDZE	<b>7</b>
	Apt Elev	<b>9</b>

# RNAV (RNP) Y RWY 10L

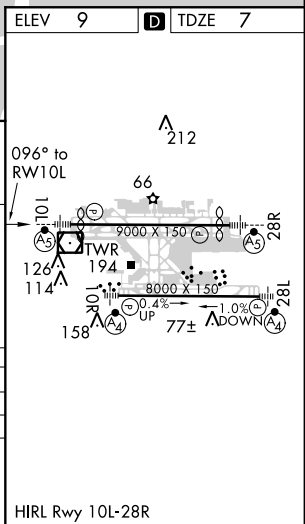
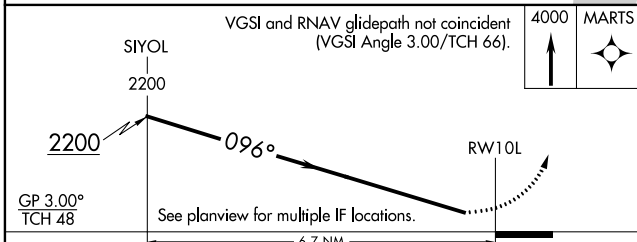
FORT LAUDERDALE/HOLLYWOOD INTL (FLL)

<p><b>▼</b> Inop table does not apply. For uncompensated Baro-VNAV systems, procedure NA below 5°C (40°F) or above 54°C (130°F). GPS Required.</p>		<p>MALSR</p>	<p>MISSED APPROACH: Climb to 4000 direct MARTS and hold, continue climb-in-hold to 4000.</p>		
D-ATIS	MIAMI APP CON	<b>FORT LAUDERDALE TOWER</b>	GND CON	CLNC DEL	CPDLC
<b>135.0</b>	<b>133.775 285.6</b>	<b>119.3 257.8</b>	<b>121.4</b>	<b>128.4</b>	



SE-3, 21 JUN 2018 to 19 JUL 2018

SE-3, 21 JUN 2018 to 19 JUL 2018



CATEGORY	A	B	C	D
RNP 0.15 DA		307/50	300 (300-1)	
RNP 0.30 DA		445-1½	438 (500-1½)	

**AUTHORIZATION REQUIRED**