

WAAS CH <b>69330</b> <b>W28A</b>	APP CRS <b>284°</b>	Rwy Idg TDZE Apt Elev	<b>3854</b> <b>778</b> <b>780</b>
--	------------------------	-----------------------------	---

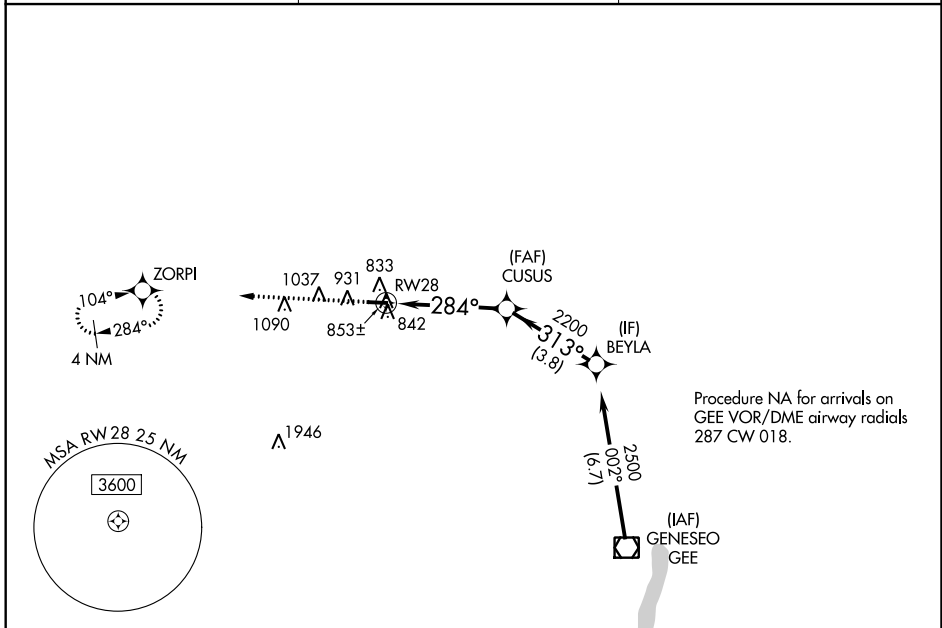
# RNAV (GPS) RWY 28

LE ROY (5G4)

**NA** Use Greater Rochester altimeter setting. DME/DME RNP-0.3 NA. Helicopter visibility reduction below 1 SM NA. Straight-in Rwy 28 NA at night, Circling Rwy 10 NA at night. When Circling to Rwy 28 at night, operational VGSI required, remain on or above VGSI glidepath until threshold.

MISSED APPROACH: Climb to 3000 direct ZORPI and hold.

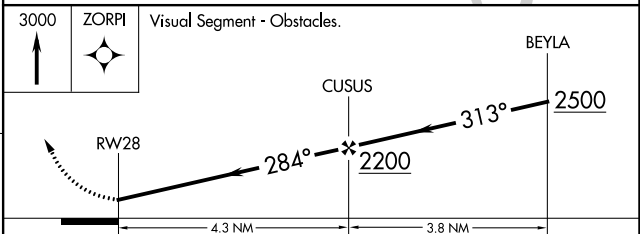
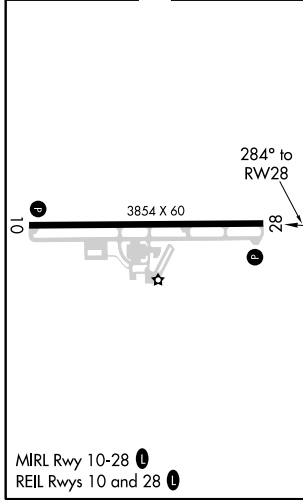
GREATER ROCHESTER INTL ASOS <b>124.825</b>	ROCHESTER APP CON <b>123.7 322.3</b>	UNICOM <b>122.8 (CTAF) 0</b>
---	---	---------------------------------



NE-2, 24 MAY 2018 to 21 JUN 2018

NE-2, 24 MAY 2018 to 21 JUN 2018

ELEV 780	TDZE 778
----------	----------



CATEGORY	A	B	C	D
LP MDA	1180-1	402 (400-1)		NA
LNAV MDA	1240-1	462 (500-1)		NA
CIRCLING	1360-1	580 (600-1)		NA