

WAAS CH 42725 W15A	APP CRS 147°	Rwy Idg TDZE Apt Elev	3621 894 894
--	------------------------	-----------------------------	---

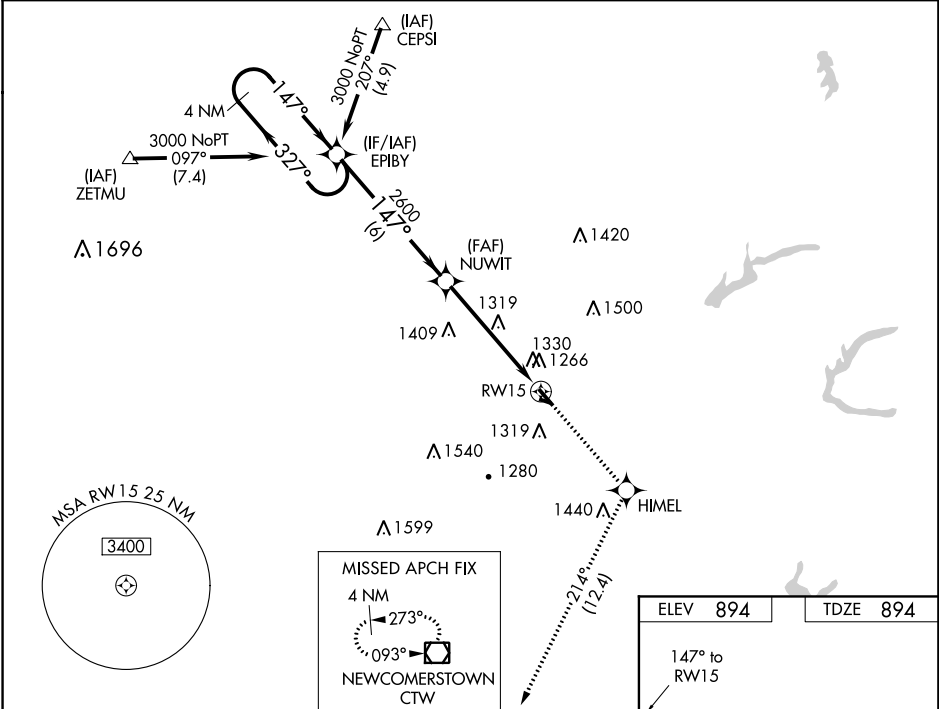
RNAV (GPS) RWY 15

HARRY CLEVER FIELD (PHD)

⚠ DME/DME RNP-0.3 NA. Circling NA to Rwy 12 and 30. Procedure NA at night.
⚠ Rwy 15 helicopter visibility reduction below 1 SM NA. When local altimeter setting not received, use Akron altimeter setting and increase all MDA 120 feet, increase LP Cat B/C visibility ½ mile, LNAV Cat C visibility ½ mile, Circling Cat A/C visibility ¼ mile.

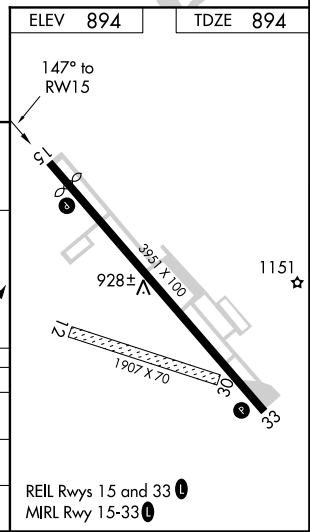
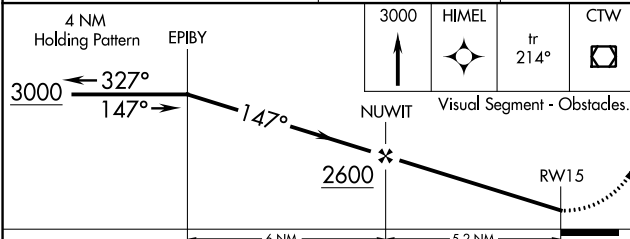
MISSED APPROACH: Climb to 3000 direct HIMEL and on track 214° to CTW VOR/DME and hold.

ASOS 121.425	AKRON-CANTON APP CON* 125.5 371.875	UNICOM 122.8 (CTAF)	123.30
------------------------	---	-------------------------------	---------------



EC-2: 26 APR 2018 to 24 MAY 2018

EC-2: 26 APR 2018 to 24 MAY 2018



CATEGORY	A	B	C	D
LP MDA	1580-1	686 (700-1)	1580-2 686 (700-2)	NA
LNAV MDA	1640-1 746 (800-1)	1640-1¼ 746 (800-1¼)	1640-2 746 (800-2)	NA
CIRCLING	1640-1 746 (800-1)	1640-1¼ 746 (800-1¼)	1640-2¼ 746 (800-2¼)	NA