


NDB SN 312	APP CRS 066°	Rwy ldg TDZE Apt Elev	8700 215 215
----------------------	------------------------	-----------------------------	---

NDB Z RWY 7

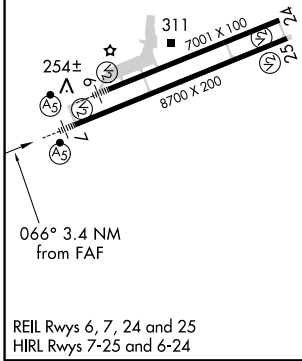
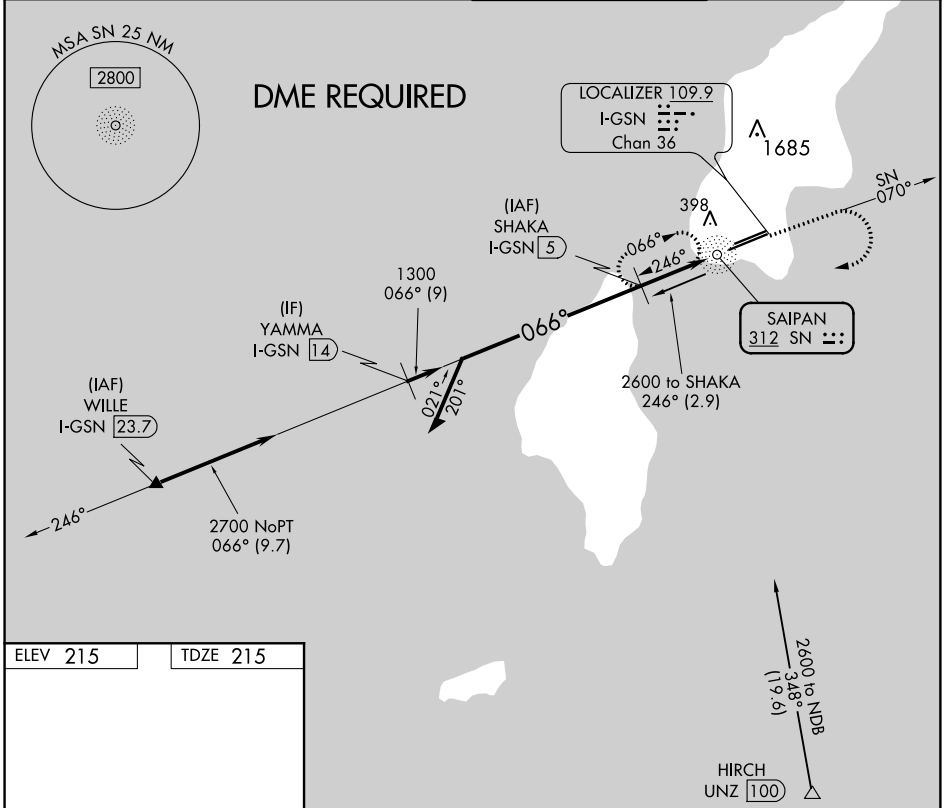
FRANCISCO C ADA/SAIPAN INTL (GSN)(PGSN)



▼ Circling NA north of Rwy 6-24.
DME Required.

MALSR 

MISSED APPROACH: Climb to 1600 on SN NDB bearing 070° then climbing right turn to 3000 direct SN NDB then on SN NDB bearing 246° to SHAKA/I-GSN 5 DME and hold.

ATIS 127.2	GUAM APP CON 118.4 290.5	SAIPAN TOWER 125.7 256.9	GND CON 121.8
----------------------	------------------------------------	------------------------------------	-------------------------



Remain within 10 NM	SHAKA I-GSN 5	1600	3000	SN	SHAKA I-GSN 5
	SN 070°			SN 246°	
2000	246°	2.85° TCH 57	I-GSN 3	SN NDB I-GSN 2.1	
1300	066°				
		2 NM	0.9	0.5	
CATEGORY	A	B	C	D	
S-7	760-3/4	545 (600-3/4)	760-1 1/8	545 (600-1 1/8)	
C CIRCLING	760-1	545 (600-1)	760-1 5/8	780-2	565 (600-2)

PAC, 01 FEB 2018 to 29 MAR 2018

PAC, 01 FEB 2018 to 29 MAR 2018