

VOR/DME BSV <b>112.4</b> Chan <b>71</b>	APP CRS <b>182°</b>	Rwy ldg TDZE Apt Elev <b>894</b>	<b>N/A</b> <b>N/A</b> <b>894</b>
---	------------------------	--	--

**VOR-A**  
HARRY CLEVER FIELD (PHD)

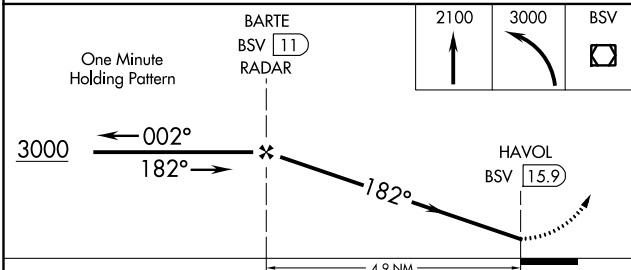
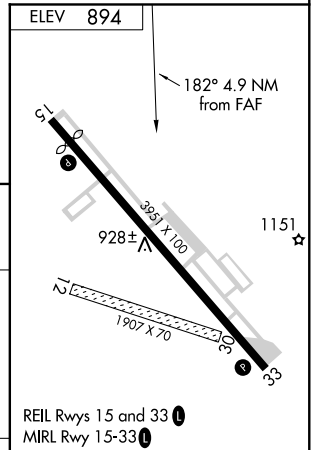
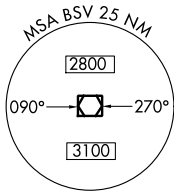
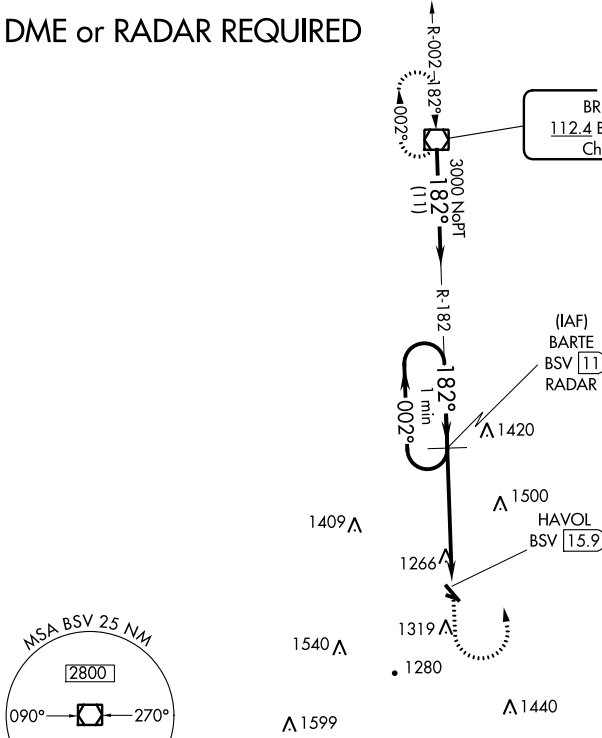
**⚠** Circling NA to Rwys 12 and 30. When local altimeter setting not received, use Akron altimeter setting and increase all MDA 120 feet, increase Circling Cat C visibility ¼ mile. Rwy 15, 33 helicopter visibility reduction below 1 SM NA. Procedure NA at night.

**MISSED APPROACH:** Climb to 2100 then climbing left turn to 3000 direct BSV VOR/DME and hold.

ASOS <b>121.425</b>	AKRON-CANTON APP CON * <b>125.5 371.875</b>	UNICOM <b>122.8 (CTAF)</b>	<b>123.3 0</b>
------------------------	--	-------------------------------	----------------

**DME or RADAR REQUIRED**

△1730



CATEGORY	A	B	C	D	FAF to MAP 4.9 NM					
CIRCLING	1720-1¼	826 (900-1¼)	1720-2½ 826 (900-2½)	NA	Knots	60	90	120	150	180
					Min:Sec	4:54	3:16	2:27	1:58	1:38

EC-2. 01 FEB 2018 to 01 MAR 2018

EC-2. 01 FEB 2018 to 01 MAR 2018