

VORTAC OMN 112.6 Chan 73	APP CRS 212°	Rwy Idg TDZE Apt Elev	4301 78 80
--	------------------------	-----------------------------	---------------------------------------

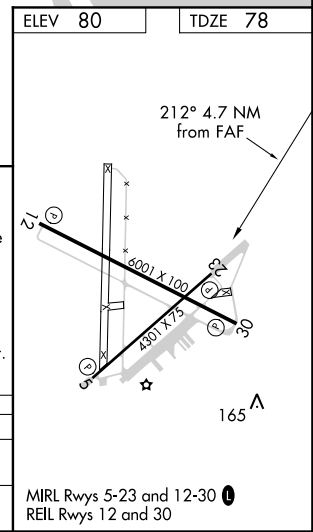
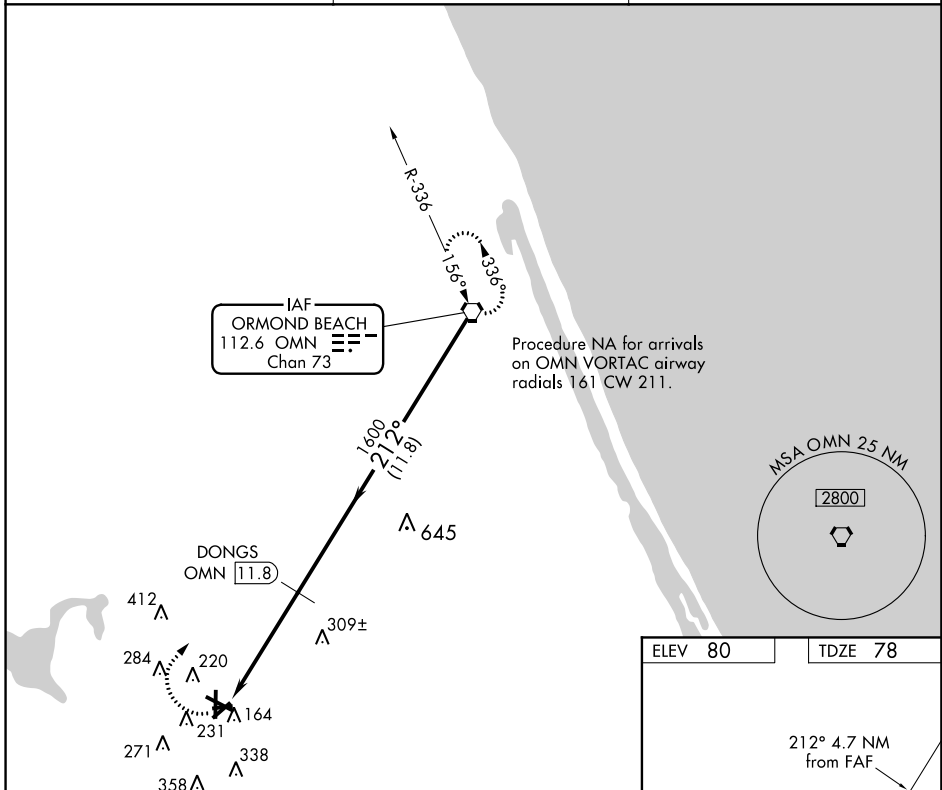
VOR/DME RWY 23

DELAND MUNI-SIDNEY H. TAYLOR FIELD (DED)

NA ASR Straight-In/Circling Rwy 23 and Circling to Rwy 12 NA at night. When local altimeter setting not received, use Daytona Beach Intl altimeter setting and increase all MDAs 40 feet. Visibility reduction by helicopters NA.

MISSED APPROACH: Climbing right turn to 2000 direct OMN VORTAC and hold.

AWOS-3 119.575	DAYTONA APP CON 125.35 322.3	UNICOM 123.075 (CTAF) 0
--------------------------	--	-----------------------------------



2000	OMN	DONGS OMN 11.8	OMN VORTAC	
OMN 16.5	1600	1600	1600	
4.7 NM	11.8 NM	Procedure Turn NA		
VGSI and descent angles not coincident. (VGSI Angle 3.00/TCH 40)				
CATEGORY	A	B	C	D
S-23	540-1	462 (500-1)	540-1 $\frac{3}{8}$	462 (500-1 $\frac{3}{8}$)
CIRCLING	600-1	520 (600-1)	600-1 $\frac{1}{2}$ 520 (600-1 $\frac{1}{2}$)	640-2 560 (600-2)

SE-3, 09 NOV 2017 to 07 DEC 2017

SE-3, 09 NOV 2017 to 07 DEC 2017