

SC-5, 12 OCT 2017 to 09 NOV 2017

D-ATIS 124.6
 CLNC DEL 125.45
 CPDLC 121.9
 GND CON 118.7 256.9
 HOBBY TOWER 127.125 269.075
 HOUSTON DEP CON 127.125 269.075

TOP ALTITUDE:
16000

TAKEOFF MINIMUMS

Rwys 13L/R, 31L/R, 35: Standard.
 Rwy 4: 300-1 or standard with minimum climb of 270' per NM to 300.
 Rwy 17: 300-1.
 Rwy 22: Standard with minimum climb of 290' per NM to 1500.



HOBBY HUB
 117.1
 Chan 118

SAN ANTONIO
 116.8 SAT
 Chan 115
 N29°38.64'-W98°27.68'
 L-19, H-7

FORT STOCKTON
 116.9 FST
 Chan 116
 N30°57.13'-W102°58.54'
 L-19, H-6

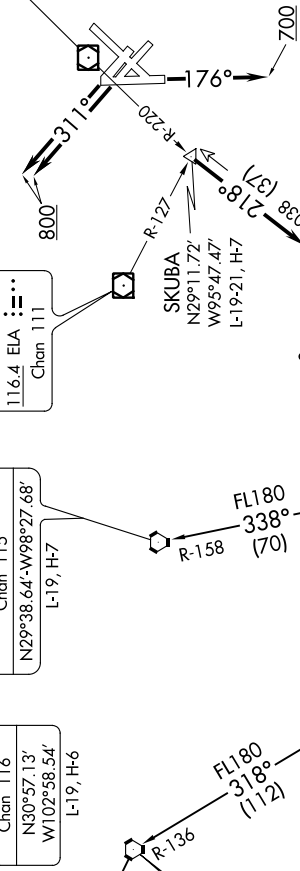
EAGLE LAKE
 116.4 ELA
 Chan 111

ROCKSPRINGS
 111.2 RSG
 Chan 49
 N30°00.88'-W100°17.99'

COTUILA
 115.8 COT
 Chan 105
 N28°27.72'-W96°59'00.11'

THREE RIVERS
 111.4 THR
 Chan 51
 N28°30.30'-W98°09.03'

PALACIOS
 117.3 PSX
 Chan 120
 N28°45.87'-W96°18.37'



(NARRATIVE ON FOLLOWING PAGE)
 (NOTES CONTINUED ON FOLLOWING PAGE)

NOTE: RADAR required.
 NOTE: Chart not to scale

SC-5, 12 OCT 2017 to 09 NOV 2017